

MOTOPLASTIC, S.A.

Molí de la sal, 1 - 08403 Granollers (Barcelona) SPAIN

Tel. 34 93 849 06 33 - Fax 34 93 849 09 88

info@puig.tv - info@puigusa.com

www.puig.tv - www.puigusa.com

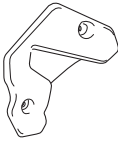









INSTRUCCIONES DE MONTAJE - MOUNTING INSTRUCTIONS - MONTAGEANLEITUNG

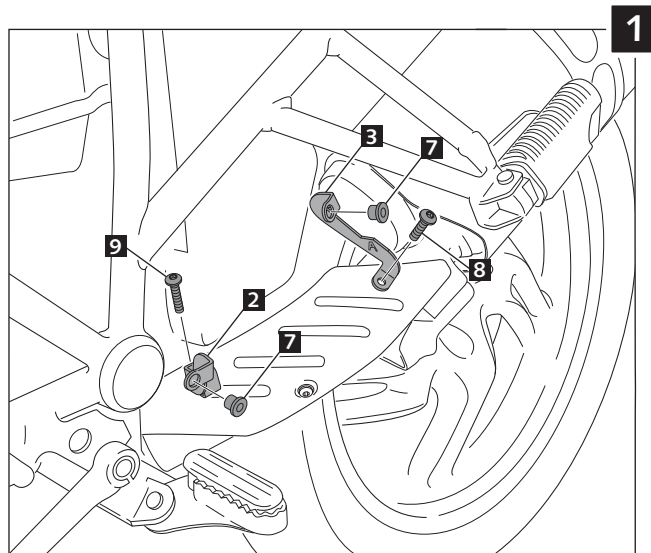
DEFLECTOR POSTERIOR ESCAPE - REAR PANEL ADAPTABLE TO - SEITENVERKLEIDUNG FÜR

BMW R1200GS

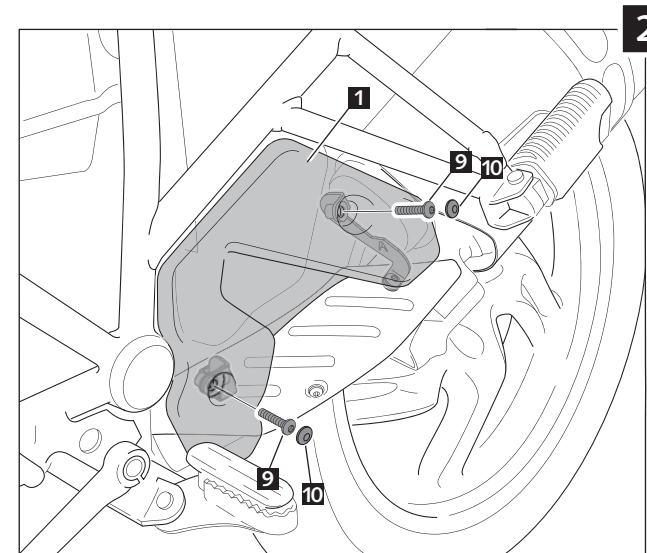
'04-'09 / '10-'12 / '06-'13 Adventure

Ref.: 6802

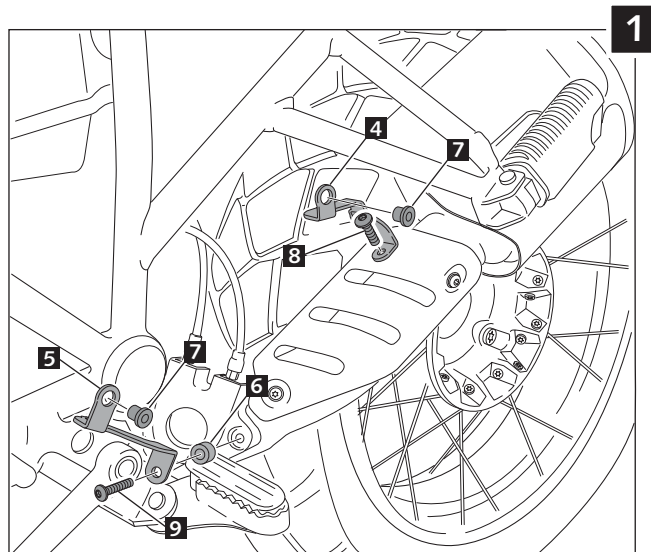
ID.	DESCRIPCIÓN / DESCRIPTION	QTY.
1	 Tapa posterior Rear panel	1
2	 Soporte metálico delantero Front metal support	'04-'09 A 1
3	 Soporte metálico trasero Rear metal support	'04-'09 A 1
4	 Soporte metálico delantero Front metal support	'10-'12 B 1
5	 Soporte metálico trasero Rear metal support	'10-'12 B 1
6	 Casquillo Ø int. 6,5 x Ø ext. 9 x 6,6 Arrowhead Ø inner 6,5 x Ø outer 9 x 6,6	'10-'12 1
7	 Silemblock M5 M5 Silemblock	2
8	 Tornillo Allen M5x11 ISO 7380 M5x11 ISO 7380 Allen screw	1
9	 Tornillo Allen M5x16 ISO 7380 M5x16 ISO 7380 Allen screw	3
10	 Tapón tornillo M5 ISO 7380 M5 ISO 7380 screw cap	2



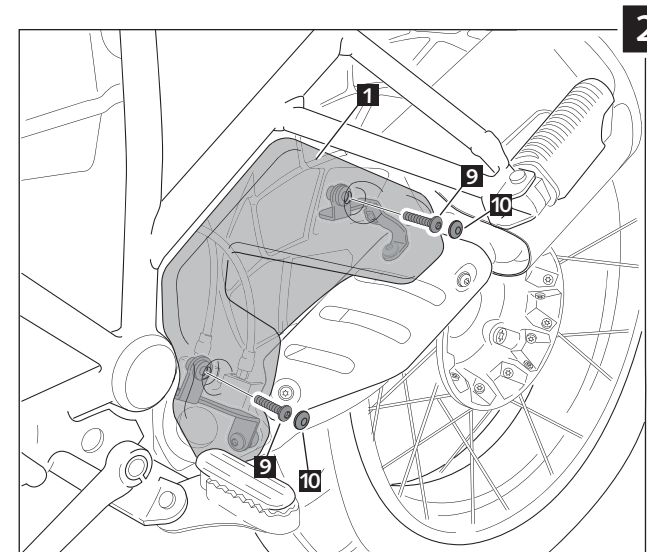
1
A
2004 - 2009



2



1
B
2010 - 2012



2