



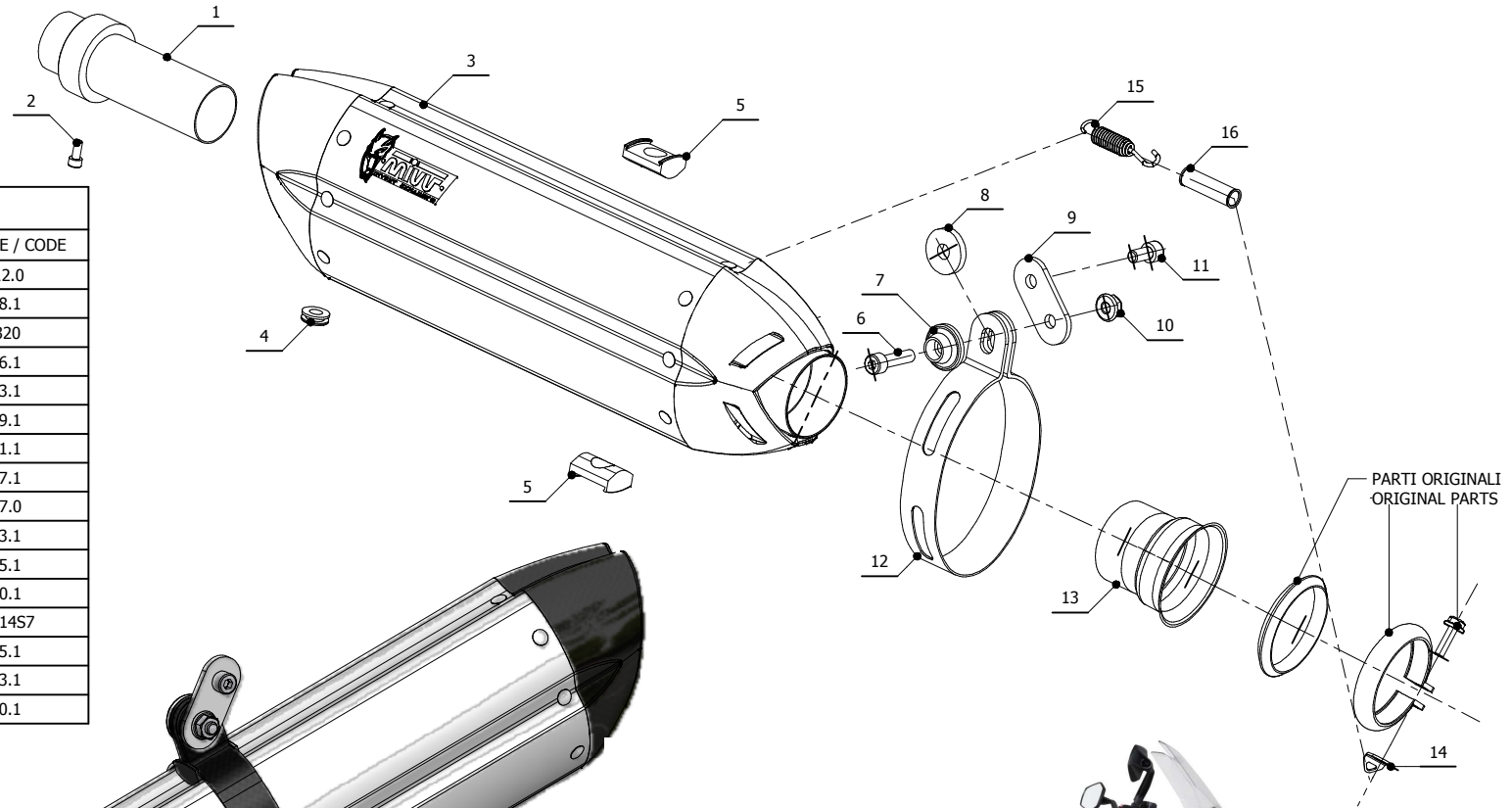
**MODEL** KTM SUPERDUKE 1290 GT

**YEAR** 2016 -->

**LINE** SLIP ON

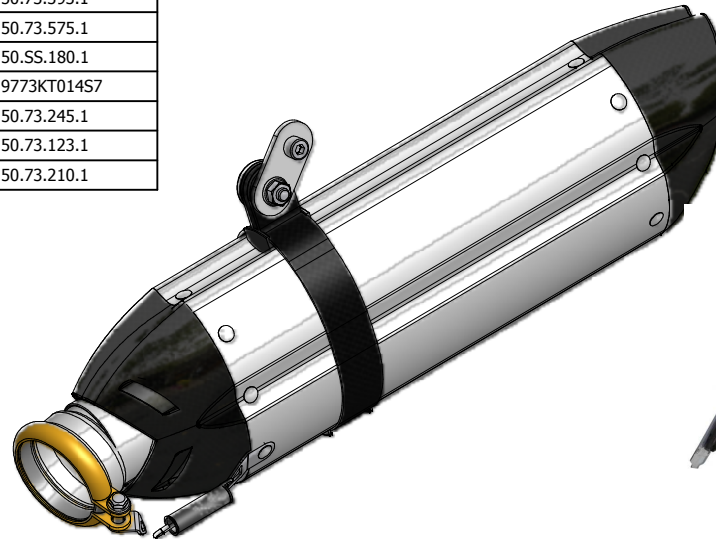
**MUFFLER** SUONO

**SCHEMATIC**



**ELENCO PARTI / PARTS LIST**

#	QTÀ / QTY	DESCRIZIONE / DESCRIPTION	CODICE / CODE
1	1	DB killer / DB killer	50.DK.112.0
2	1	Vite M5x12 / Screw M5 x 12	50.73.628.1
3	1	Silenziatore / Muffler	SUONO 320
4	1	Tappo in gomma / Rubber stopper	50.73.266.1
5	2	Tassello grande / Rubber big block	50.73.203.1
6	1	Vite M8x30 / Screw M8x30	50.73.219.1
7	1	Rondella nera / Black washer	50.73.221.1
8	1	Rondella in gomma / Rubber washer	50.73.227.1
9	1	Staffa / Bracket	50.SS.657.0
10	1	Dado M8 flangiato / Flanged nut M8	50.73.393.1
11	1	Vite M8x16 / Screw M8x16	50.73.575.1
12	1	Staffa in carbonio / Carbon fiber bracket	50.SS.180.1
13	1	Tubo di raccordo / Link pipe	9773KT014S7
14	1	Gancio molla / Spring hook	50.73.245.1
15	1	Molla corta / Short Spring	50.73.123.1
16	1	Gommino per molla / Rubber for spring	50.73.210.1



**OPTIONAL PART**

TUBO NO KAT - NO KAT PIPE

**KT.018.C1**



- Monta con silenziatore originale e con tutti gli scarichi MIVV

- It fits with original silencer and with all MIVV exhausts



**APPLICAZIONI / APPLICATIONS**

CODICE / CODE	SILENZIATORE / MUFFLER	TUBO / PIPE	FASCETTA / CLAMP
KT.018.L7	INOX (COPPE CARBONIO) / ST. STEEL (CARBON CAPS)	INOX / ST. STEEL	CARBONIO / CARBON FIBER
KT.018.L9	STEEEL BLACK		