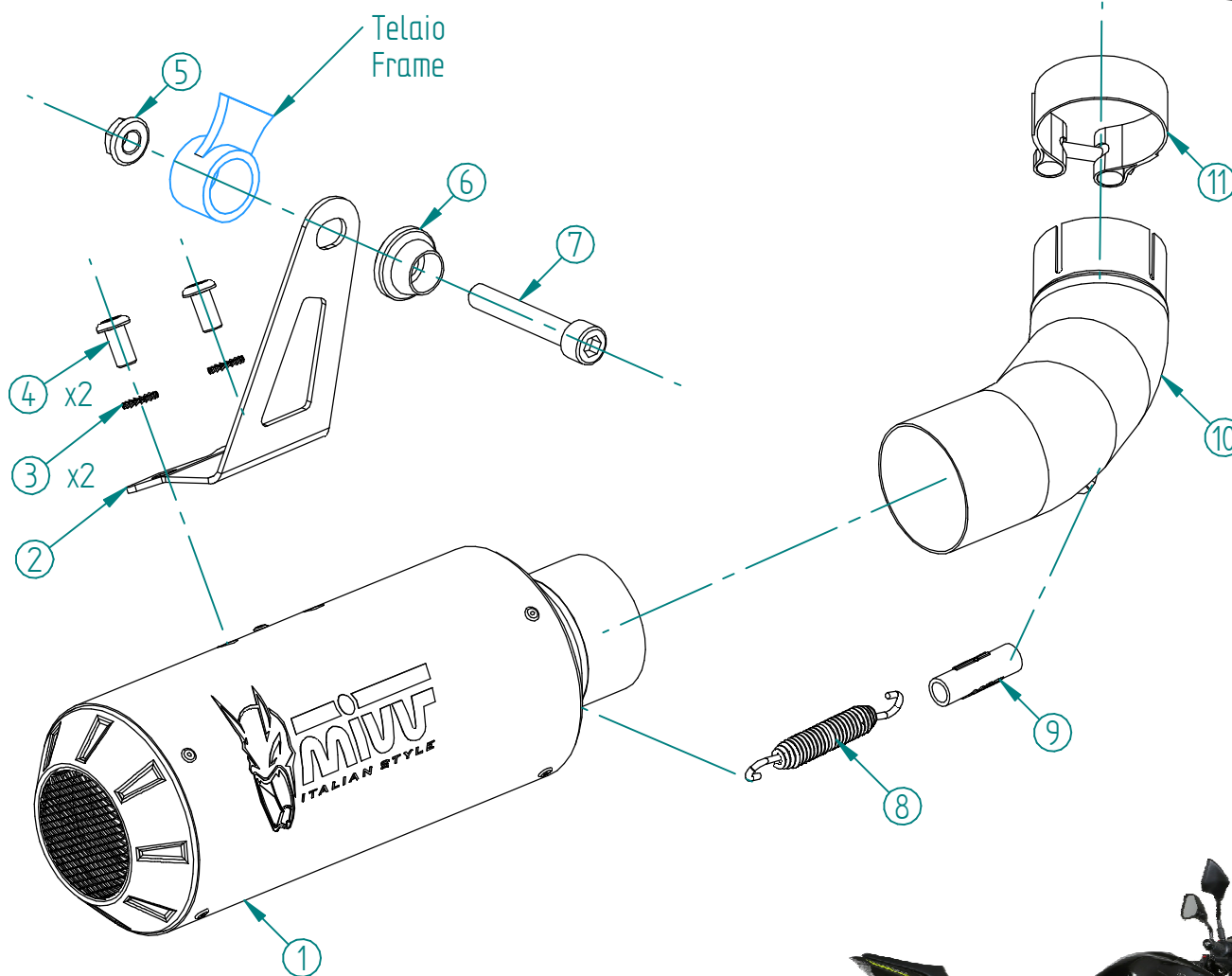
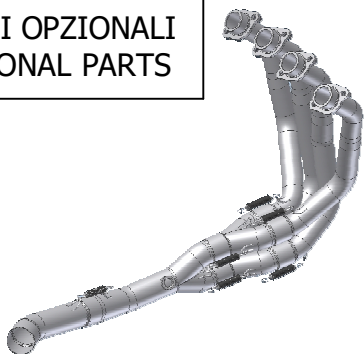


#	DESCRIPTION	PART NUMBER	QTY
1	Silenziatore / Muffler	MK3 Øi 55	1
2	Staffa / Bracket	50.SS.1117.0	1
3	Rondella di sicurezza / Safety washer	50.73.604.1	2
4	Vite M8 x 16 / Screw M8 x 16	50.73.098.1	2
5	Dado M10 flangiato / Flanged nut M10	50.73.332.1	1
6	Rondella in alluminio nera / Black aluminium washer	50.73.330.1	1
7	Vite M10x60 / Screw M10x60	50.73.135.1	1
8	Molla lunga / Long spring	50.71.080.1	1
9	Tubo in gomma per molla / Rubber pipe for spring	50.73.210.1	1
10	Tubo di raccordo / Link pipe	9773K045S2	1
11	Fascetta Ø 52/55 mm / Pipe clamp Ø 52/55 mm	50.FA.008.1	1



## PARTI OPZIONALI OPTIONAL PARTS



IMPIANTO ELIMINA KAT / NO KAT PIPE  
**00.73.K.045.C1**



COVER IN ACCIAIO / STEEL COVER  
**50.CR.037.0**

APPLICAZIONI / APPLICATIONS			
CODICE / CODE	SILENZIATORE / MUFFLER	LOGO	TUBO / PIPE
K.045.LM3B	STEEL BLACK	LASER	INOX / ST. STEEL
K.045.LM3C	CARBONIO / CARBON FIBER	ETICHETTA ALLUMINIO / ALUMINIUM LABEL	
K.045.LM3X	INOX / ST. STEEL	LASER	

