



**MODEL** KAWASAKI ZX-6R

**YEAR** 2007 -->

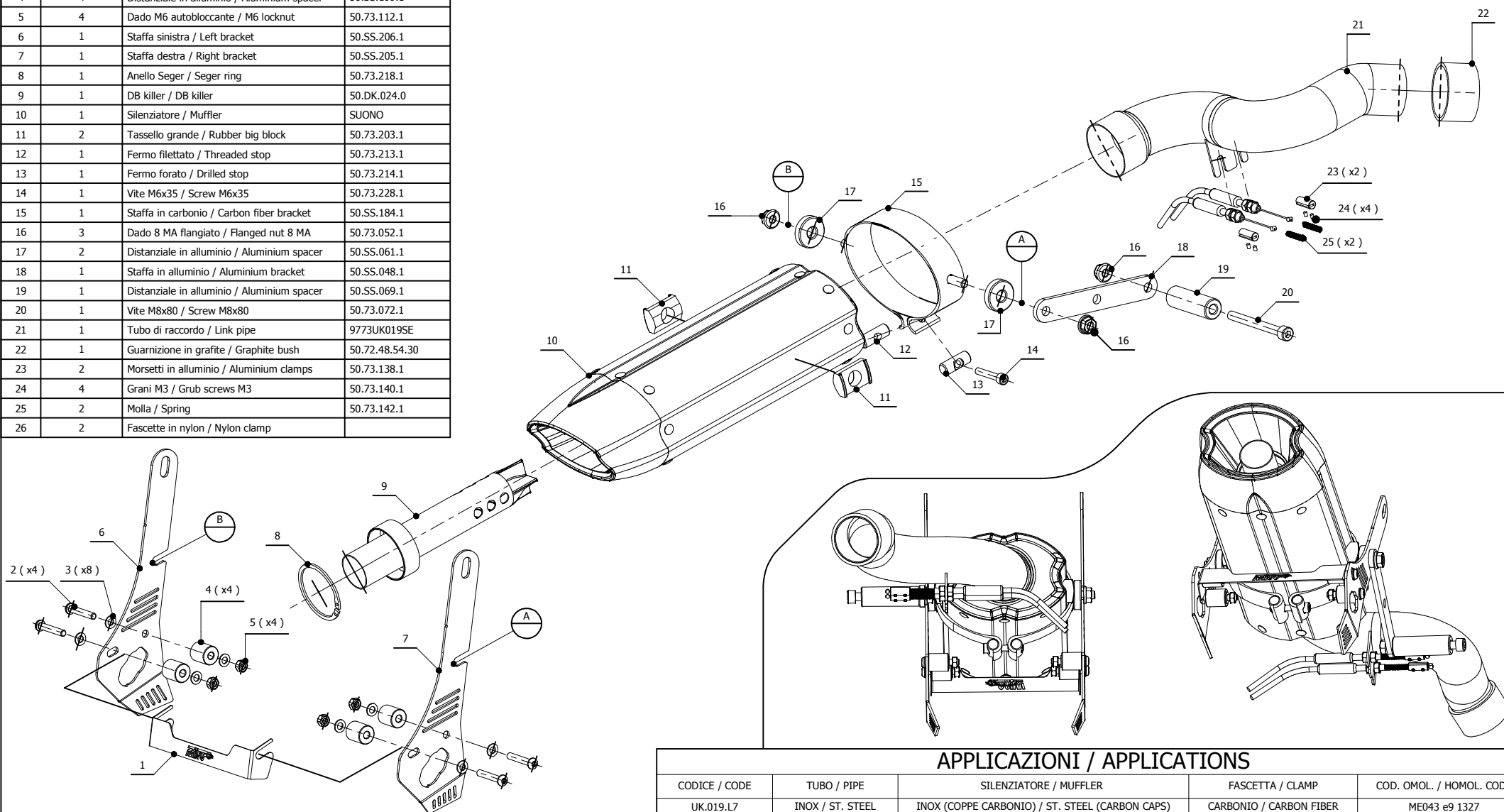
**LINE** SPORT

**MUFFLER** SUONO

**SCHEMATIC**

**ELENCO PARTI / PARTS LIST**

#	QTÀ / QTY	DESCRIZIONE / DESCRIPTION	CODICE / CODE
1	1	Copertura con logo / Cover with logo	50.SS.208.1
2	4	Vite M6x35 / Screw M6x35	50.73.235.1
3	8	Rondella M6 / Washer M6	50.72.027.1
4	4	Distanziale in alluminio / Aluminium spacer	50.SS.199.1
5	4	Dado M6 autobloccante / M6 locknut	50.73.112.1
6	1	Staffa sinistra / Left bracket	50.SS.206.1
7	1	Staffa destra / Right bracket	50.SS.205.1
8	1	Anello Seger / Seger ring	50.73.218.1
9	1	DB killer / DB killer	50.DK.024.0
10	1	Silenziatore / Muffler	SUONO
11	2	Tassello grande / Rubber big block	50.73.203.1
12	1	Fermo filettato / Threaded stop	50.73.213.1
13	1	Fermo forato / Drilled stop	50.73.214.1
14	1	Vite M6x35 / Screw M6x35	50.73.228.1
15	1	Staffa in carbonio / Carbon fiber bracket	50.SS.184.1
16	3	Dado 8 MA flangiato / Flanged nut 8 MA	50.73.052.1
17	2	Distanziale in alluminio / Aluminium spacer	50.SS.061.1
18	1	Staffa in alluminio / Aluminium bracket	50.SS.048.1
19	1	Distanziale in alluminio / Aluminium spacer	50.SS.069.1
20	1	Vite M8x80 / Screw M8x80	50.73.072.1
21	1	Tubo di raccordo / Link pipe	9773UK019SE
22	1	Guarnizione in grafite / Graphite bush	50.72.48.54.30
23	2	Morsetti in alluminio / Aluminium clamps	50.73.138.1
24	4	Grani M3 / Grub screws M3	50.73.140.1
25	2	Molla / Spring	50.73.142.1
26	2	Fascette in nylon / Nylon clamp	



**APPLICAZIONI / APPLICATIONS**

CODICE / CODE	TUBO / PIPE	SILENZIATORE / MUFFLER	FASCETTA / CLAMP	COD. OMOL. / HOMOL. CODE
UK.019.L7	INOX / ST. STEEL	INOX (COPPE CARBONIO) / ST. STEEL (CARBON CAPS)	CARBONIO / CARBON FIBER	ME043 e9 1327
UK.019.L9	INOX / ST. STEEL	CARBONIO (COPPE CARBONIO) / CARBON (CARBON CAPS)	CARBONIO / CARBON FIBER	ME043 e9 1327